

## BMC Colloidal Mill

Grinding speed 3000 rpm  
Homogenization power  
up to 55 kW



### PERFORMANCES

| MODEL | INSTALLED POWER | WORKING PRESSURE<br>(bar) | CAPACITY (l/h) |
|-------|-----------------|---------------------------|----------------|
| BMC   | 55 kW 2 poles   | 6                         | 25.000         |

### TECHNICAL DATA

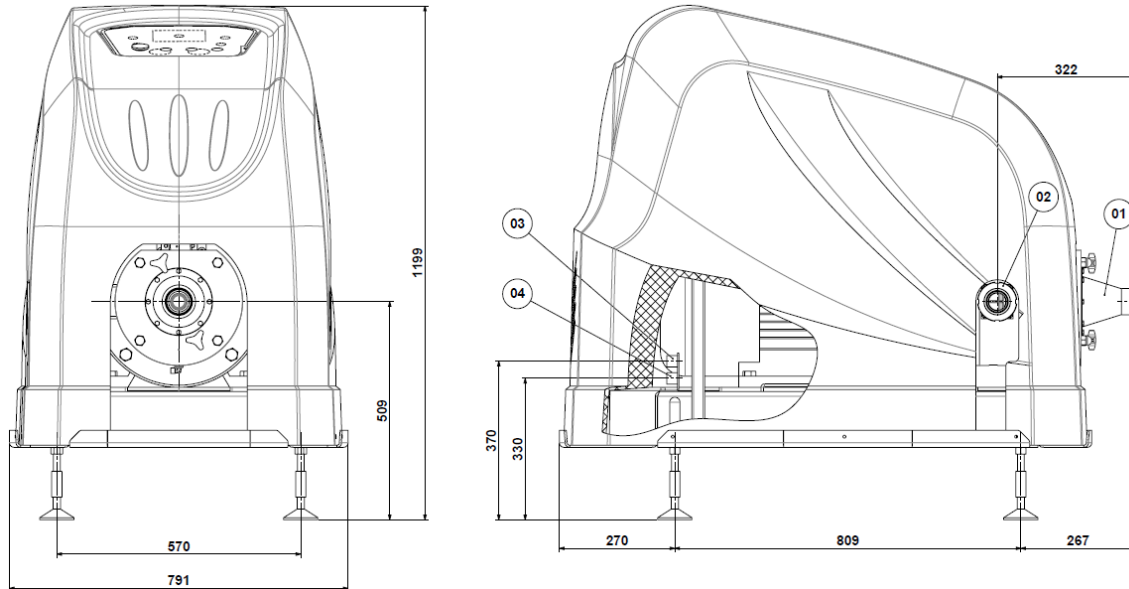
|  |             |
|--|-------------|
| Machine weight (kg)                      | 600         |
| Product inlet and outlet                 | DN 40/50/65 |
| Cooling water consumption l/h            | 60          |
| Cooling water inlet/discharge connection | G 1/2"      |



Design according to MACHINE DIRECTIVES and th HARMONIZED EUROPEAN STANDARD in force



## Model BMC



### MILL CHARACTERISTICS

AISI 630, Stainless steel rotor and stator for improved wear resistance

Cooled Hygienic dual cartridge tungsten carbide mechanical seal, EPDM

Connections available in SMS / DIN

Terminal Box

Flow switch + solenoid valve for cooling water

Noise level < 85dBa

Parts in contact with the product made of AISI 316 and higher

Equipped with electromechanics actuator of stator position to adjust the grinding gap.

Electric motor 220/380/440V.50/60Hz 2 poles

Painted steel frame + external cover made of ABS

### EXTRA FEATURES

Stator and Rotor available in Duplex SAF2205

Wetted parts Ra < 0.6 μm

PLC, Siemens KTP 400, automatic system grinding regulation

Electrical Power board installable inside of the machine

